



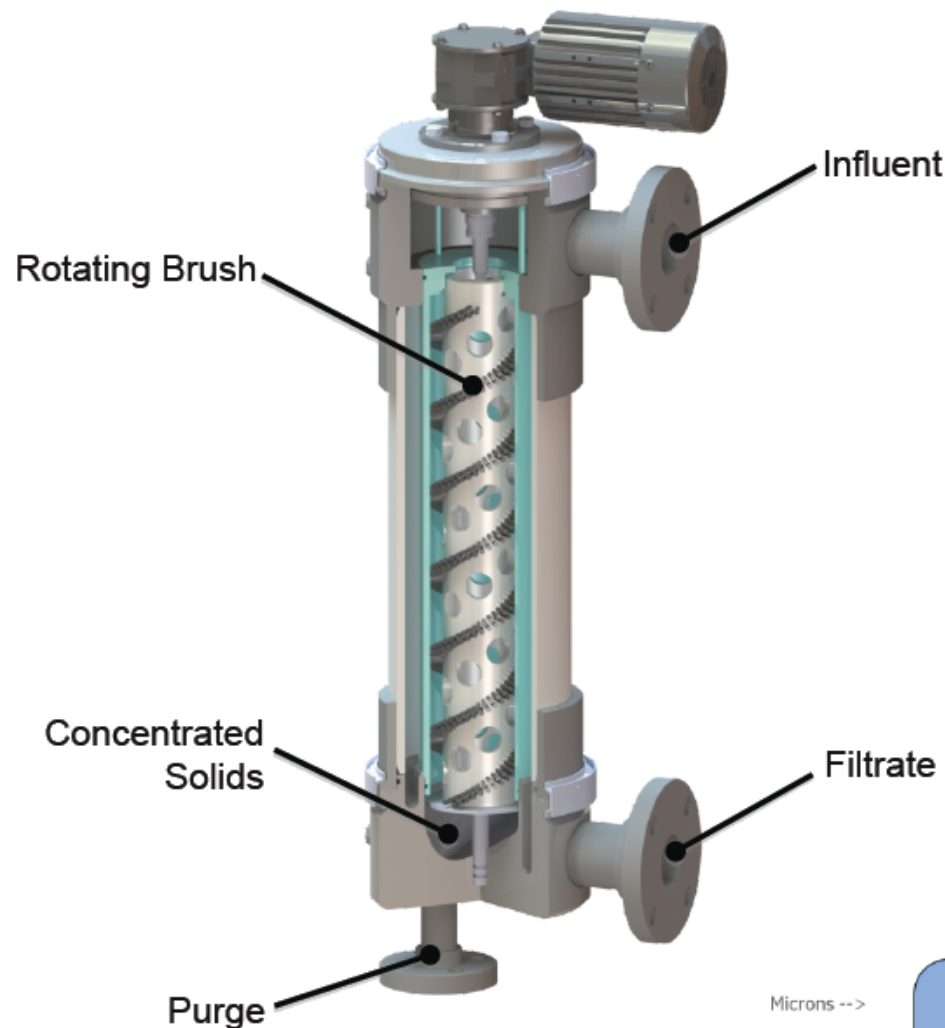
# Spiral Water™

Technologies, Inc.

## A Quantum Leap in Filtration

The **Spiral Water Automatic Filter**, with its revolutionary cleaning assembly, provides a low maintenance, self-cleaning filter designed to handle Ultra High and Variable Total Suspended Solids (TSS).

With its patented design and operation, the Spiral Water Automatic Filter provides 10 to 100 micron filtration. This technology offers Industrial, Municipal and Marine customers a unique filtration solution for their primary, pre-filtration or post-filtration applications.

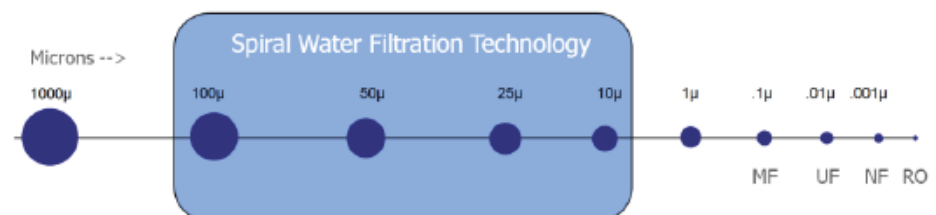


## Industry Applications

- Oil & Gas Produced/Flowback Water
- Desalination
- Marine & Ballast Water
- Wastewater & Reuse
- Mining
- Cooling Towers
- Food & Beverage
- Pretreatment for MF / UF / RO

## Key Features and Benefits

- High and Variable Solids Loading – up to 25,000 mg/l
- Continuously Cleaned Filter Membrane
- 10-100 Micron Filtration
- 99%+ Water Recovery
- Low Power (Line Power or Solar)
- Minimal Pressure Requirements
- Small Footprint
- Easy Maintenance - Minimal Moving Parts
- Light Weight
- Modular for Larger Flow Rates
- No Backwash, No Crossflow



**Fine Filtration with Continuous Filtrate**

## Filter Operation

Each filter contains a motor driven spiral shaped brush that continuously cleans collected debris from inside the filter element. Solids collected at the end of the filter housing may be expelled through an automatic purge valve. The system does not require high pressures to operate and performs at very low differential pressure. No backwash, cross flow or booster pumps required.

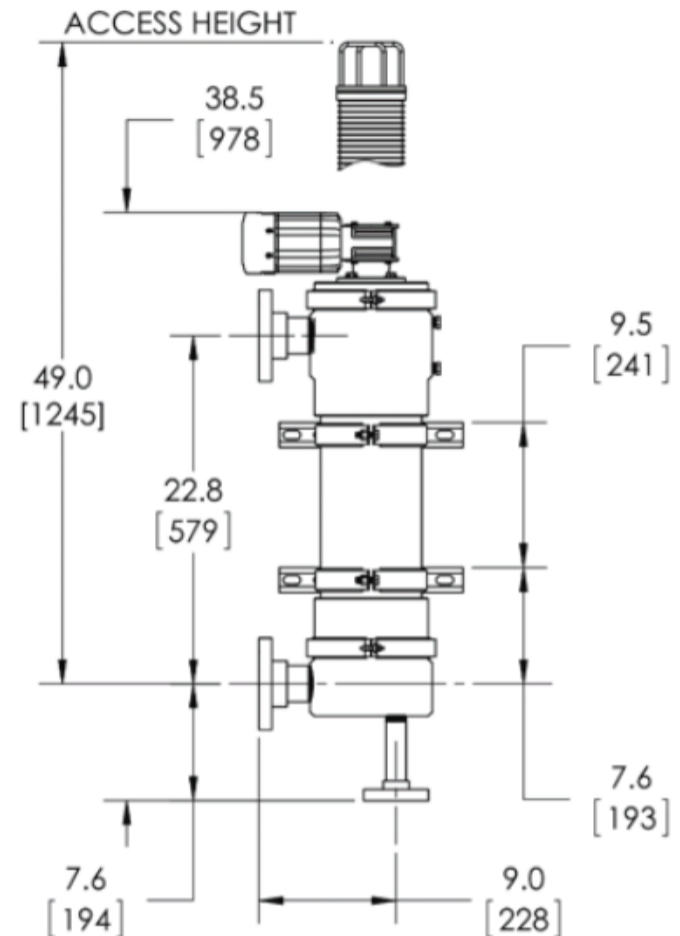


## Model 810 Filter Unit Specifications

Inlet:	2" F-NPT or #150 Flange
Filtrate Outlet:	2" F-NPT or #150 Flange
Purge Outlet:	1" F-NPT or #150 Flange
Max Flow:	10 – 100 gpm
Filtration Rating:	10 – 100 micron
Max TSS:	25,000 ppm
Max Operating Press:	10.3 bar (150 psi) @70°F
Min Operating Press:	<0.1 bar (<1 psi)
Head Loss:	<0.1 bar (<1 psi)
Drive Motor:	(3/8 hp) 230/460V 3-Ph or (1/4 hp) 24v BLDC

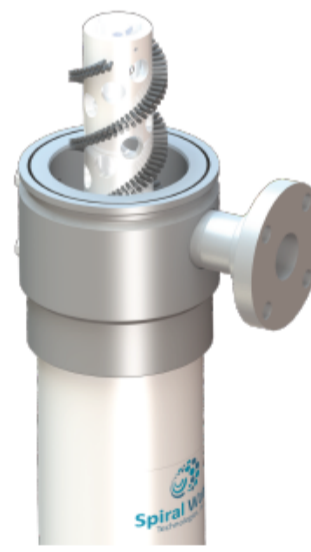
## Materials of Construction

Wetted Housing:	PVC, 2205 SS
Seals:	EPDM, Buna-N or Viton
Cleaning Brush:	Acetal, Nylon 6.12, 316 SS
Filter Elements:	316L SS



## Options

- Drive Motor VFD
- Automated Drain Valve
- Differential Pressure Transmitter
- Programmable Control System
- Multi-Filter Manifolds
- Pump Skid Systems



©2014 Spiral Water Technologies, Inc. All Rights Reserved. All trademarks and registered trademarks are the property of their respective owners. This brochure is for informational purposes and Spiral Water assumes no liability or obligation for the information in this document. It is not to be construed as absolutely complete and it is the user's responsibility to determine the suitability for its own use of such products.

For more information, email us at [info@spiralwater.com](mailto:info@spiralwater.com)